

4

3

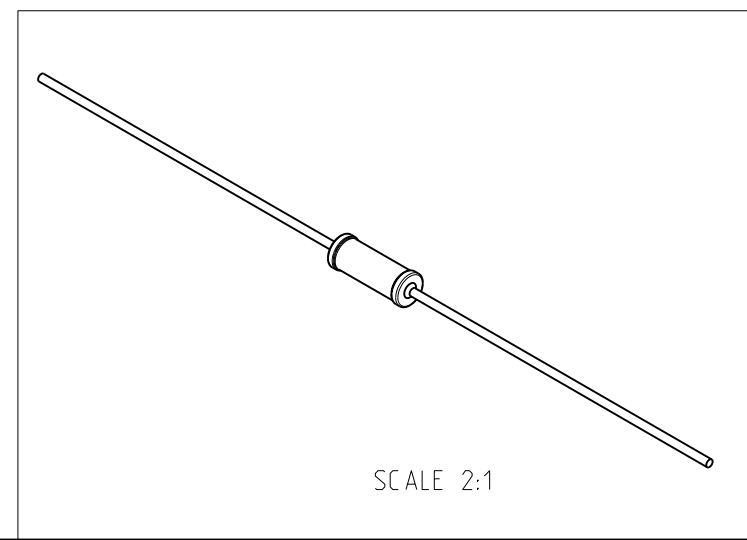
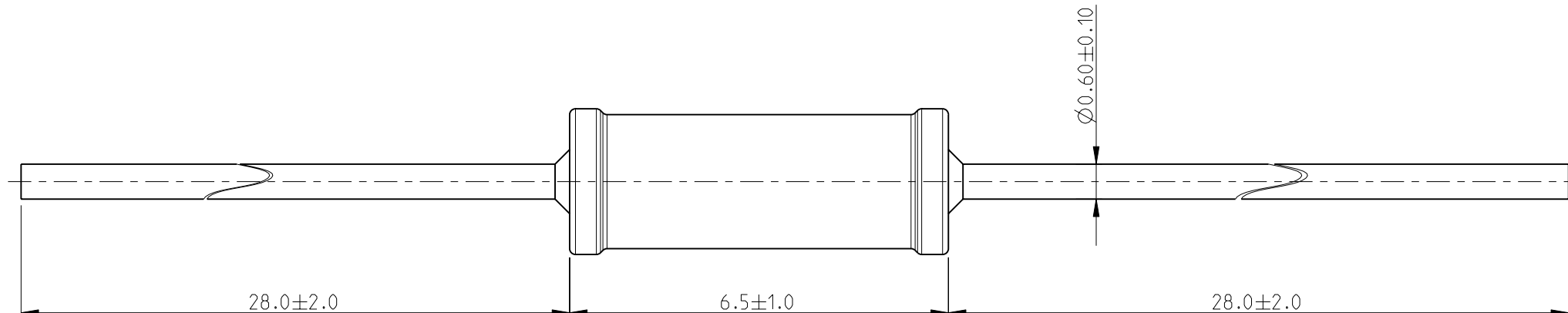
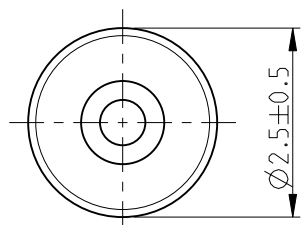
2


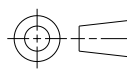
1

THIS DRAWING IS UNPUBLISHED. RELEASED FOR PUBLICATION 2008
 © COPYRIGHT 2008 - ALL RIGHTS RESERVED.

LOC	DIST	REVISIONS			
P	LTR	DESCRIPTION	DATE	DWN	APVD
	BA1	REVISED PER ECO-11-005150	29MAR2011	RK	HMR

FOR FURTHER INFORMATION SEE DATA SHEET FOR
 SERIES RGP- METAL GLAZE FIXED RESISTORS



THIS DRAWING IS A CONTROLLED DOCUMENT.		DWN	22-DEC-08		 TE Connectivity			
DIMENSIONS:		CHK	22-DEC-08					
mm		APVD	22-DEC-08					
		NAME	STEPHEN.P					
TOLERANCES UNLESS OTHERWISE SPECIFIED:		PRODUCT SPEC	-		METAL GLAZE FIXED RESISTORS STYLE RGP0207CH			
0 PLC	± 0.2	APPLICATION SPEC	-		SIZE	CAGE CODE	DRAWING NO	RESTRICTED TO
1 PLC	± 0.1	WEIGHT	-		A3	00779	1623708	-
2 PLC	± -	CUSTOMER DRAWING		SCALE	SHEET		OF	REV
3 PLC	± -			10:1	1		1	BA1
4 PLC	± -							
ANGLES	± 5°							
MATERIAL	-							
FINISH	-							